



High Power UV-C LED
SMD Modules and Arrays

V0.9 March 2019

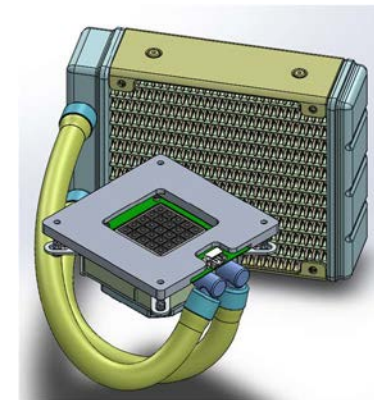
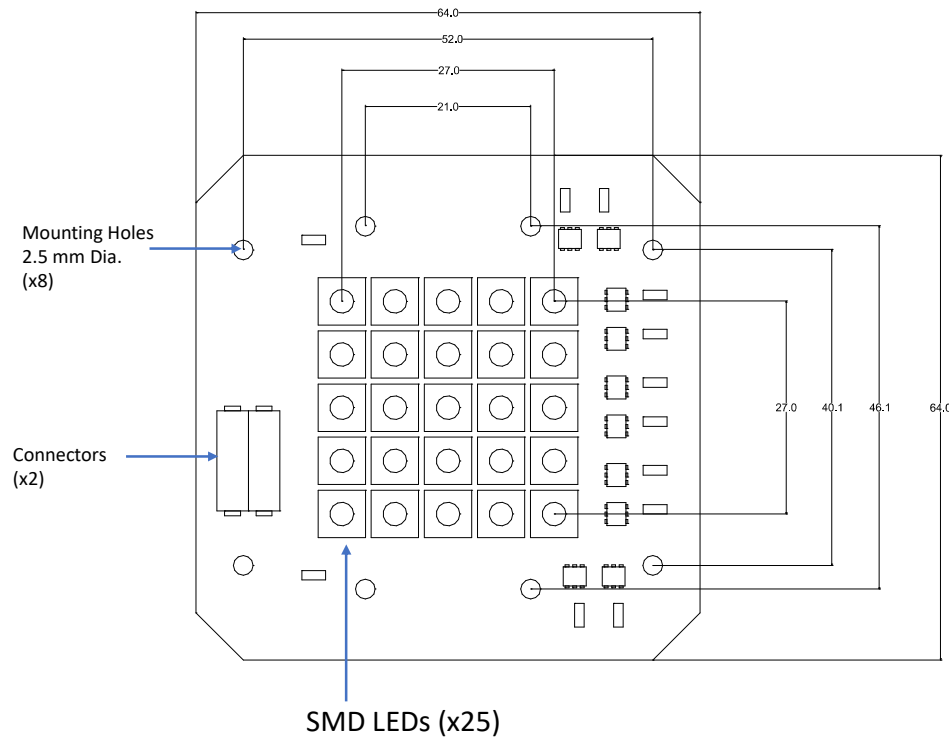
03/20 / V05 / OSIF / bolb/5x5_array_uv_c_smd_led_module

PLEASE OBSERVE UVC SAFETY PRECAUTIONS
PROTECT YOUR EYS AND SKIN FROM UVC EXPOSURE
ALL OPERATORS, OBSERVERS AND NEARBY PERSONNEL MUST BE PROTECTED



BOLB INC IS NOT RESPONSIBLE FOR ANY HARM CAUSED BY
NEGLIGENCE IN SAFTY BY THE USERS

BOLB UVC LED 5x5 SMD Array Diagram (mm)

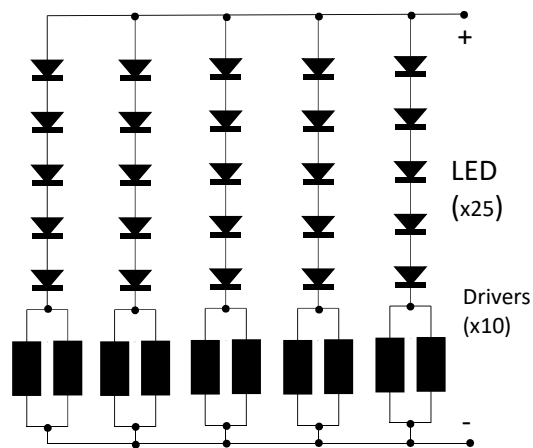


Performance at 25°C ambient and active cooling

Parameter	Symbol	Unit	Min.	Typ. 350mA/LED	Max 500mA/LED
Peak Wavelength	λ_p	nm	255	270	280
Radiant Flux	ϕ_e	W_{opt}	1.5*	2.2*	3.5*
			2.5**	3.25**	6.0**
Forward Voltage (LED + Driver electronics)	V _F	V	30	33	40
Forward Current	I _F	A	-	1.75	2.50
Spectrum Half Width	$\Delta\lambda$	nm	-	11	-
View Angle	2 $\theta_{\%}$	°	-	150	-
Thermal Resistance	R _{J-b}	°C/W	-	<10 (TBD)	-

*G1N
** G2H

Electrical connection schematic



Specifications

1. Active liquid cooling required for operation at $\geq 100\text{W}$.
2. Thermal paste required to mount PCB onto heatsink
3. Power supply- **32-40V DC, 3A** with voltage stabilization.
4. PCB has 2 connectors (wires AWG-23 or 24) for connection to power supply. No soldering required.
5. Option: a fused silica protective cover